



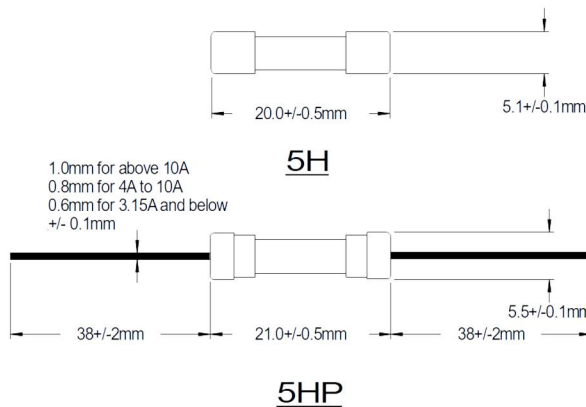
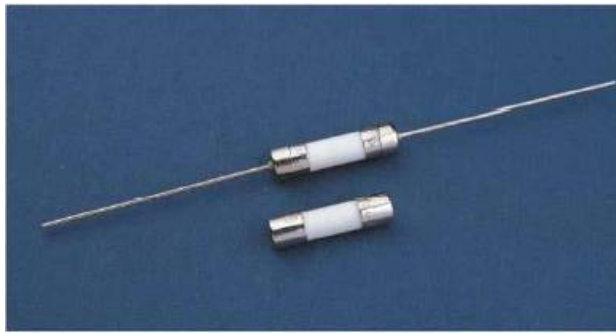
# 5H, 5HP

歐規, 陶瓷管, 高分斷, 慢熔斷

European Standard 5x20mm HBC Time Lag Fuse

Sun Fuse

RoHS



Functional Characteristics 功能特性規格			
Testing current 測試電流	Rating range 額定電流值範圍	Blow time limit 熔斷時間	
		Min 最小	Max 最大
100%	25A	4 hours (小時)	-
150%	160mA – 6.3A 8A – 20A	1 hour (小時) 1800 sec (秒)	-
210%	160mA – 25A	-	1800 sec (秒)
275%	160mA – 800mA 1A – 25A	250ms (毫秒) 750ms (毫秒)	80 sec (秒) 80 sec (秒)
400%	160mA – 800mA 1A - 3.15A 4A - 25A	50ms(毫秒) 95ms(毫秒) 150ms(毫秒)	5 sec (秒) 5 sec (秒) 5 sec (秒)
1000%	160mA – 800mA 1A – 25A	5ms(毫秒) 10ms(毫秒)	150ms (毫秒) 150ms (毫秒)

**Marking (印字)**

Sun trademark and approval logo's where appropriate, "T", current rating, "H" and ampere rating are stamped on the fuse end caps.

**Material (材料)**

Fuse body – ceramic tube  
 End cap – nickel plated brass  
 Pigtail – tin plated copper on nickel plated brass cap

**Packing (包裝)**

Bulk pack of 1000pcs per box (5x200pcs per plastic bag) for 5Hand 500pcs for 5HP.

**RoHS**

Comply with EU Directive 2011/65/EU, 2015/863 (High melting point solder of over 85% lead content exempted)

Current Rating 額定電流 (A)	Voltage Rating 額定電壓 (V)	Avg Cold Resistance 平均電阻 (ohm)	Avg V - drop 平均電壓降 (mV)	Avg Power Dissipation 平均消耗功率 (W)	Average I <sup>2</sup> t value 熔化熱能 (A <sup>2</sup> sec)			
0.160	250/400*	10.5	1970	0.96	0.04	5H #	5H/5HP	-
0.200	250/400*	5.9	1426	0.81	0.05	5H #	5H/5HP	-
0.250	250/400*	3.8	1108	0.78	0.08	5H #	5H/5HP	-
0.315	250/400*	2.4	956	0.74	0.16	5H #	5H/5HP	-
0.400	250/400*	1.6	852	0.72	0.24	5H #	5H/5HP	-
0.500	250/400*	0.90	522	0.72	0.3	5H #	5H/5HP	-
0.630	250/400*	0.59	424	0.72	0.4	5H #	5H/5HP	-
0.800	250/400*	0.40	380	0.74	0.7	5H #	5H/5HP	-
1.0	250/400*	0.24	280	0.80	1.2	5H #	5H/5HP	5H
1.25	250/400*	0.16	240	0.80	2.5	5H #	5H/5HP	5H
1.6	250/400*	0.093	174	0.72	4.3	5H #	5H/5HP	5H
2	250/400*	0.068	158	0.76	8.0	5H #	5H/5HP	5H
2.5	250/400*	0.048	144	0.91	17	5H #	5H/5HP	5H
3.15	250/400*	0.032	116	0.95	28	5H #	5H/5HP	5H
4	250/400*	0.020	92	0.98	43	5H #	5H/5HP	5H
5	250/400*	0.015	90	1.28	82	5H #	5H/5HP	5H
6.3	250/400*	0.011	84	1.42	134	5H #	5H/5HP	5H
8	250/400*	0.0082	80	1.87	158	5H #	5H/5HP	5H
10	250/400*	0.0064	78	2.32	228	5H #	5H/5HP	5H
12	250/400*	0.0051	75	2.88	406	5H #	5H/5HP	-
12.5	250/400*	0.0047	72	2.96	422	5H #	5H/5HP	-
15	250/400*	0.0038	72	3.72	710	5H #	5H/5HP	5H/CQC**
16	250/400*	0.0035	71	4.18	795	5H #	5H/5HP	5H/CQC**
20	250/400*	0.0025	66	4.50	1533	5H #	5H/5HP	5H/CQC**
25	250/400*	0.0021	66	2.06	1722	-	5H/5HP	-

Note (備注):

- The Voltage Drop values are measured at 100% rated current.
- The Power Dissipation values are measured after testing at 150% rated current for one hour (100% rated current for 25A).
- The above figures are typical values for reference only and should not be used as acceptance criteria.
- Please consult factory for availability of other ratings.

\* 400V is UL recognized and TUV approved only up to 20A, 25A is UL recognized only. \*\* 5H 15A, 16A, 20A are CQC approved.  
 # 500V is TUV approved.

Specifications subject to change without notice